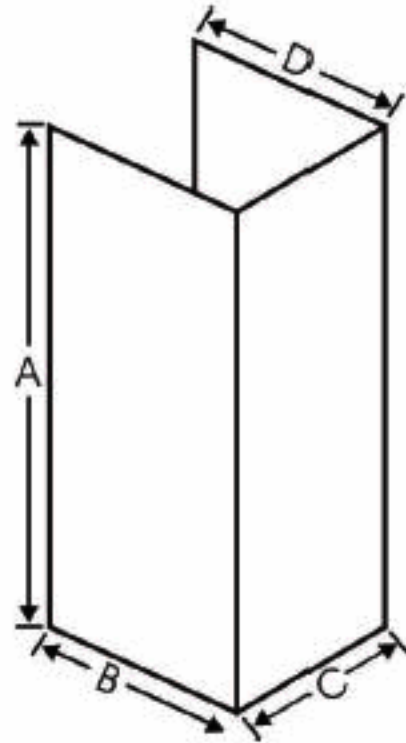
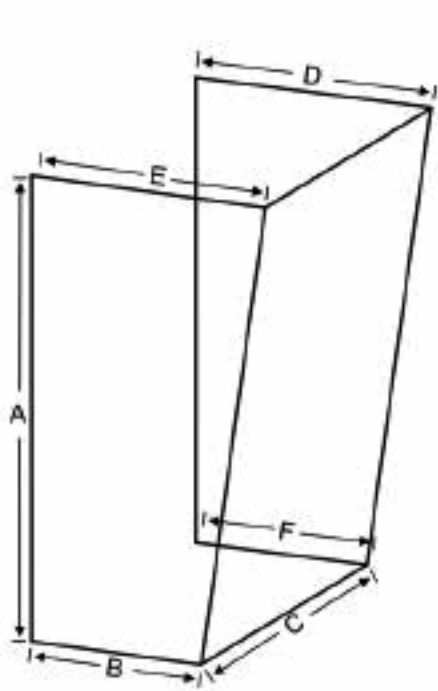


## Column and i-beam Measuring Guide

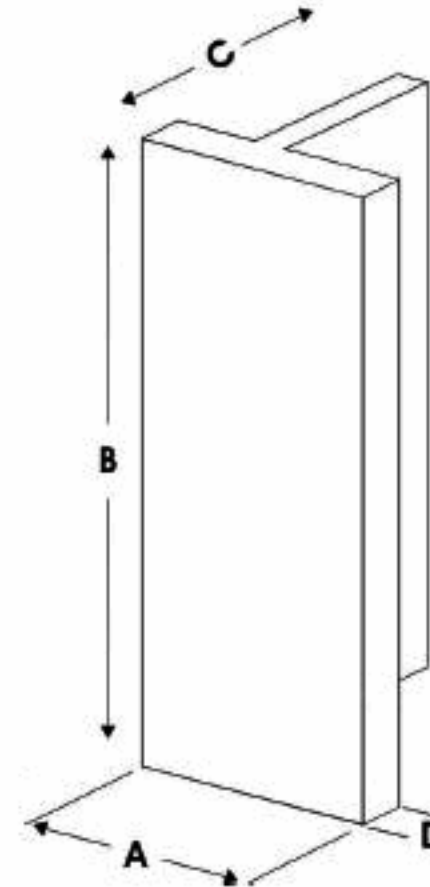


### 3-sided Tapered Column

- Measure B, C, F where you intend to start the pad on the column.

- Measure 6' up the vertical wall (A) from where you measured BCF and take measurements E and D. This assumes that C is the same at top as it is on the bottom.

You'd end up with something like:  
Bottom - 8"x12"x8" / Top 14"x12"x14"



### i-beam

Easiest pad is an i-beam pad the wraps the front face of the beam. We need height and face measurement of beam.

C just ensures that there's enough room to wrap behind the face.